

FPM-3171G

Industrial 17" Flat Panel Monitor with Direct-VGA Port



Features

- 17" SXGA TFT LCD with resolution up to 1280 x 1024
- Stainless steel chassis
- NEMA4/IP65-compliant aluminum front panel
- Multi-scan function supports SXGA, XGA, SVGA, VGA, text mode
- Auto-recognition of input signal
- Supports panel, wall, rack mount or VESA arm
- Anti-reflective screen with tempered glass
- Hard anodic coating to prevent panel abrasion and acid corrosion

Introduction

FPM-3171G is a 17-inch color TFT LCD flat panel monitor specifically designed for industrial applications. With a viewing size as large as 17", FPM-3171G presents an ample display area as well as vivid and sharp images for your HMI. FPM-3171G features direct VGA signal transmission. You can thus upgrade the displays without making changes to the existing system. The on-screen display function also makes it easy to adjust the images on the screen. The whole chassis is designed in stainless steel and the front panel is made of aluminum with NEMA4/IP65 compliance.

Specifications

General

- **Button Controls** OSD control pads on front panel, power switch
- **Certifications** BSMI, CCC, CE, FCC class B
- **Dimensions (WxHxD)** 482 x 354 x 68 mm (18.9" x 13.9" x 2.7")
- **Enclosure** Aluminum
- **Mounting** Panel, Wall, rack mount or VESA arm
- **Power Input** External 48 W power adapter, with AC 100 V ~ 240 V input and DC +12 V @ 4 A output
- **Video Ports** VGA
- **Weight (Net)** 12.7 kg (27.9 lb)

LCD Display

- **Backlight Life** 40,000 hrs
- **Contrast Ratio** 500:1 (typical)
- **Display Size** 17"
- **Display Type** SXGA TFT LCD
- **Luminance** 300 cd/m²
- **Max. Colors** Full color (16.2 million)
- **Max. Resolution** 1280 x 1024
- **Viewing Angle (H/V°)** 140/130

Touchscreen (Optional)

- **Interface** RS-232
- **Lifespan** 1 million touches at a single point
- **Light Transmission** 72%
- **OS Support** Windows® 98/2000/XP
- **Power Consumption** +5 V @ 200 mA
- **Resolution** 1024 x 1024
- **Type** Elo touch 4-wire, analog resistive

Environment

- **Ingress Protection** Front panel: NEMA4, IP65
- **Operating Temperature** 0 ~ 50° C (32 ~ 122° F)
- **Storage Humidity** 5 ~ 95% non-condensing
- **Storage Temperature** -20 ~ 60° C (-4 ~ 140° F)
- **Vibration Protection** 5~500 Hz, 1 Grms (Random, Operating)

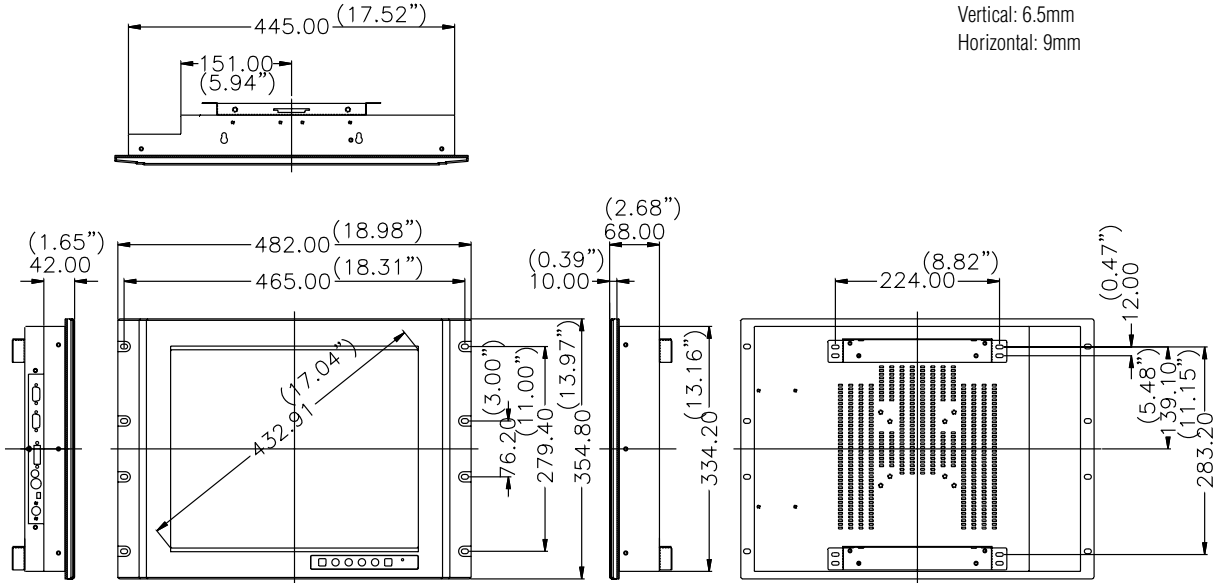
Ordering Information

- **FPM-3171GA** Industrial 17" TFT LCD display with 19" Rack-Mount Bezel, VGA interface and AC 100~240 V input 48 W power adapter
- **FPM-3171G-RA** FPM-3171GA with analog resistive touchscreen (RS-232 interface)

Dimensions

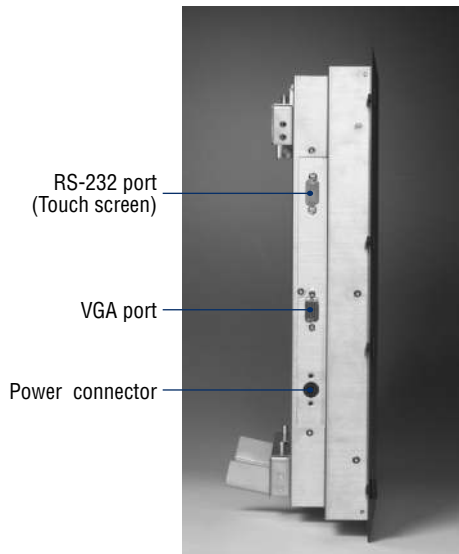
Unit: mm

Diameters of the rackmount holes:
Vertical: 6.5mm
Horizontal: 9mm



Cut-out dimension: 451 x 340 mm (17.8" x 13.4")

FPM-3171G Side View



- 1 Software
- 2 IPCC
- 3 TPC
- 4 FPM
- 5 ATM & AWS
- 6 DA&C
- 7 cPCI
- 8 ADAM-3000
- 9 Motion Control
- 10 ICOM
- 11 Industrial Networking
- 12 UNO
- 13 ADAM-4000
- 14 ADAM-5000
- 15 ADAM-6000
- 16 ADAM-8000
- 17 BAS