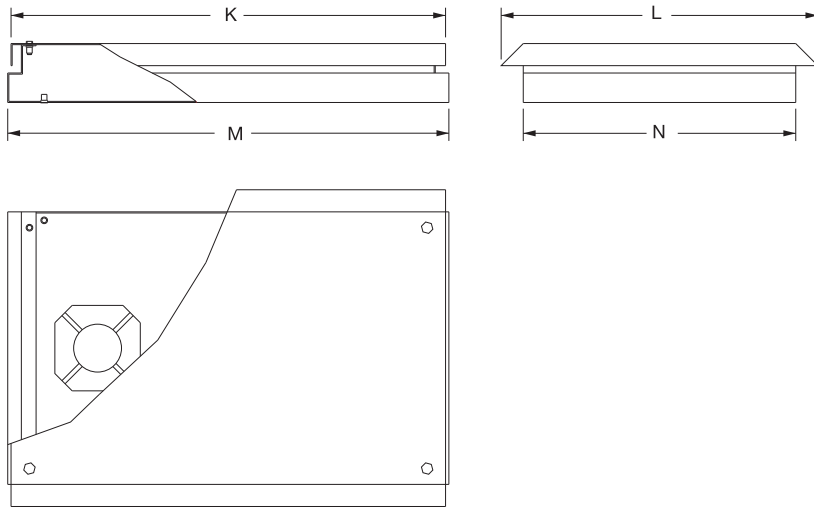


Roof-Mounted Fan Units

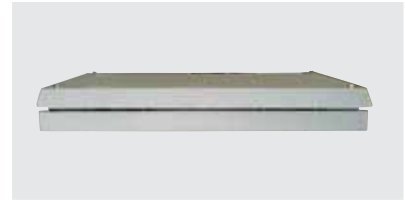
TH Series

Compatible Enclosures*		Roof-Mounted Fan Units Reference No	Number of Fans	Sizes			
Width A (mm)	Depth C (mm)			K (mm)	L (mm)	M (mm)	N (mm)
400	400	TH040402	2	390	330	400	270
	500	TH040502	2	390	430	400	370
	600	TH040602	2	390	530	400	470
600	400	TH060402	2	590	330	600	270
	500	TH060502	2	590	430	600	370
	600	TH060603	3	590	530	600	470
800	400	TH080402	2	790	330	800	270
	500	TH080502	2	790	430	800	370
	600	TH080603	3	790	530	800	470

* Compatible series : **AS, EC, PC**; fitted in instead of upper panel of enclosure.



Material : Sheet steel 1.5 mm, powder coating (RAL 7035w).



TF Series

Roof-Mounted Fan Units Reference No	Dimensions H x W x D (mm)	Airflow Volume (m ³ /h)	Voltage (V _{AC})	Freq. (Hz)	Power (W)	Noise Level dB(A)
TF 011	100 x 350 x 350	650	230	50	65	68
TF 021	100 x 350 x 350	860	230	50	100	73

Material : Sheet steel 1.5 mm, powder coating (RAL 7035w).



19" Rack Mounted Fan Units

Reference No	Height units*	Number of Fans
PEC FR1031	1 U	3
PEC FR1061	1 U	6

*1U: 44.45 mm

Material : Sheet steel 1.5 mm, powder coating (RAL 7035w).

