



www.hyundai-elec.com



Head Office	1, Jeonha-dong, Dong-gu, Ulsan, Korea Tel: 82-52-202-8101~8 Fax: 82-52-202-8100
Seoul [Sales & Marketing]	140-2, Gye-dong, Jongno-gu, Seoul, Korea Tel: 82-2-746-8519, 7510 Fax: 82-2-746-7647
Orlando	4700 Millenia Blvd., Suite 370, Orlando, Florida 32839, U.S.A. Tel: 1-407-249-7350 Fax: 1-407-275-4940
New Jersey	300 Sylvan Avenue, Englewood Cliffs, NJ, 07632, U.S.A. Tel: 1-201-816-0286, 8028 Fax: 1-201-816-4083
Chicago	1090 Fargo Avenue Elk Grove Village, IL60007, U.S.A. Tel: 1-847-228-8845 Fax: 1-847-437-3574
London	2nd Floor, The Triangle, 5-17 Hammersmith Grove, London, W6 0LG, UK Tel: 44-20-8741-0501 Fax: 44-20-8741-5620
Tokyo	8th Fl., Yurakucho Denki Bldg.1-7-1, Yuraku-cho, Chiyoda-gu, Tokyo, 100-0006, Japan Tel: 81-3-3212-2076, 3215-7159 Fax: 81-3-3211-2093
Osaka	1-Room 5th Fl. Nagahori-Plaza Bldg. 2-4-8, Minami Senba, Chuo-Ku, Osaka, 542-0081, Japan Tel: 81-6-6261-5766, 5767 Fax: 81-6-6261-5818
Riyadh	2nd Floor, the Plaza, P.O.Box 21840 Riyadh 11485, Saudi Arabia Tel: 966-1-462-2331 Fax: 966-1-464-4696
Dubai	205, Building 4, Emaar Square, Sheikh Zayed Road, Pobox 252458, Dubai, UAE Tel: 971-4-425-7995 Fax: 971-4-425-7996
Kuwait	Floor 15, Al Sour Tower, Al Sour Street, Al-Qiblah, Kuwait Tel: 965-2291-5354 Fax: 965-2291-5355
Moscow	World Trade Center, Ent. 3, #1902, Krasnopresnenskaya Nab.12, Moscow, 123610, Russia Tel: 7-495-258-1381 Fax: 7-495-258-1382
Madrid	Paseo De La Castellana 216, Planta 0, 28046 Madrid, Spain Tel: 34-91-732-0454 Fax: 34-91-733-2389
Sofia	1271, Sofia 41, Rojen Blvd., Bulgaria Tel: 359-2-803-3200, 3220 Fax: 359-2-803-3203
Montgomery	600 South Court Street, Suite 316 Montgomery, AL36104, U.S.A. Tel: 1-334-230-9921 Fax: 1-334-240-6869
Yangzhong	No.9 Xiandai Road, Xinba Scientific and Technologic Zone, Yangzhong, Jiangsu, P.R.C. Zip: 212212, China Tel: 86-511-8842-0666, 0212 Fax: 86-511-8842-0668, 0231

HHIS-WC-LE-B55-00, 2011.5 Designed by MERMONT



HYUNDAI U-Series Magnetic Contactor | Overload Relay



for YOU and being NEW HYUNDAI U-Series Magnetic Contactor & Overload Relay

The word U represents
You, our business partner and
New, your latest needs.

UMC magnetic contactor series employ a modular design which allows quick and simple mounting of auxiliary contact blocks, timers, mechanical latching blocks, etc. It provides convenience, economic benefit and high reliability.

Featuring superior design for industrial applications such as motor control centers, U-Series contactor and relay can be used for various control systems, and favored by shipyards and power plants where high reliability and performance are the critical criteria.

Upgrade your Electric Systems
with U-Series Contactor and Relay



CONTENTS

Features 4 · Contactor & Control Relay 9 · Thermal Overload Relay 49
Dimensions 58 · Installation 70 · Precautions 71

Features



Connection

■ Screw type : 9-800A

■ Lug type : 40-100A



35mm DIN-rail installation up to 100AF



Safety cover - IP20



Easy coil replacement



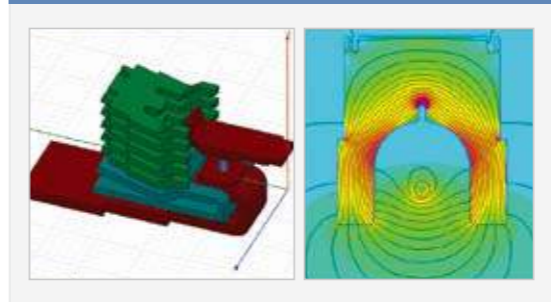
Convenient main contact inspection



Light-weight by engineering plastic



Optimized arc grid



CB certified by KERI (IEC60947-4-1)



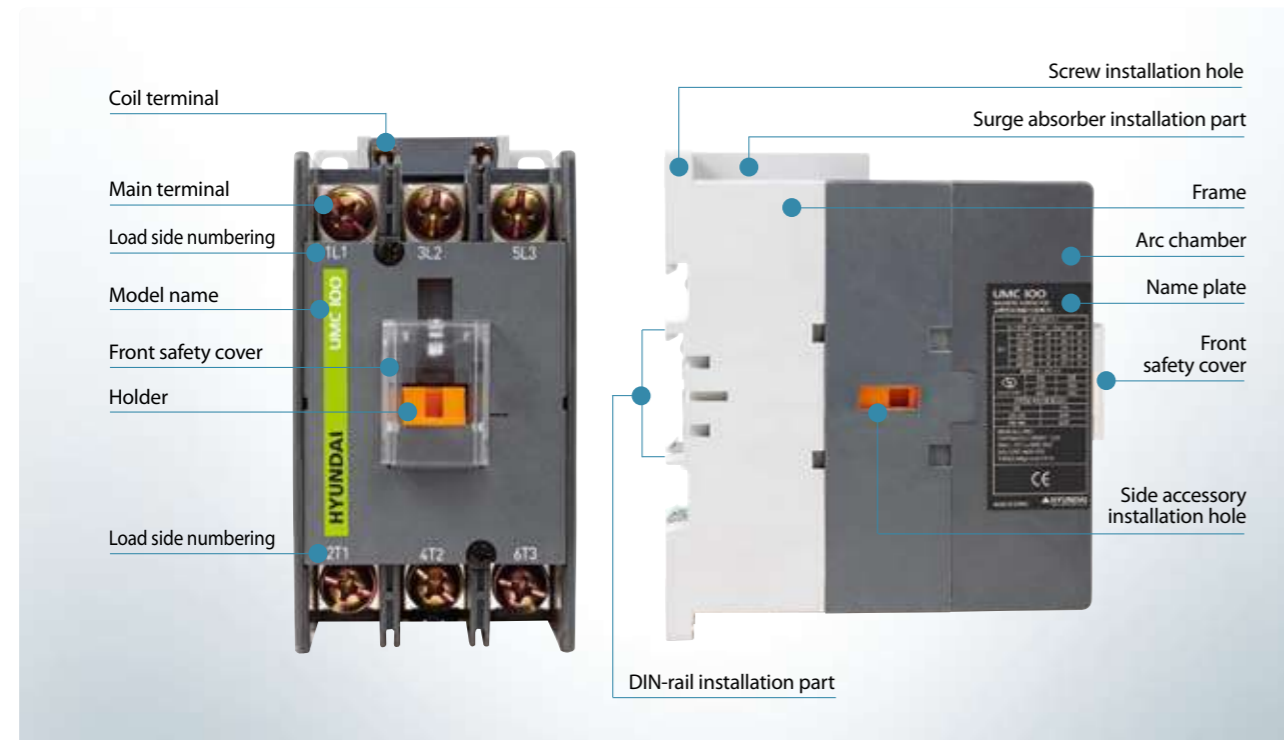
Noise free & free voltage by DC exciting method (115-800A)

Features

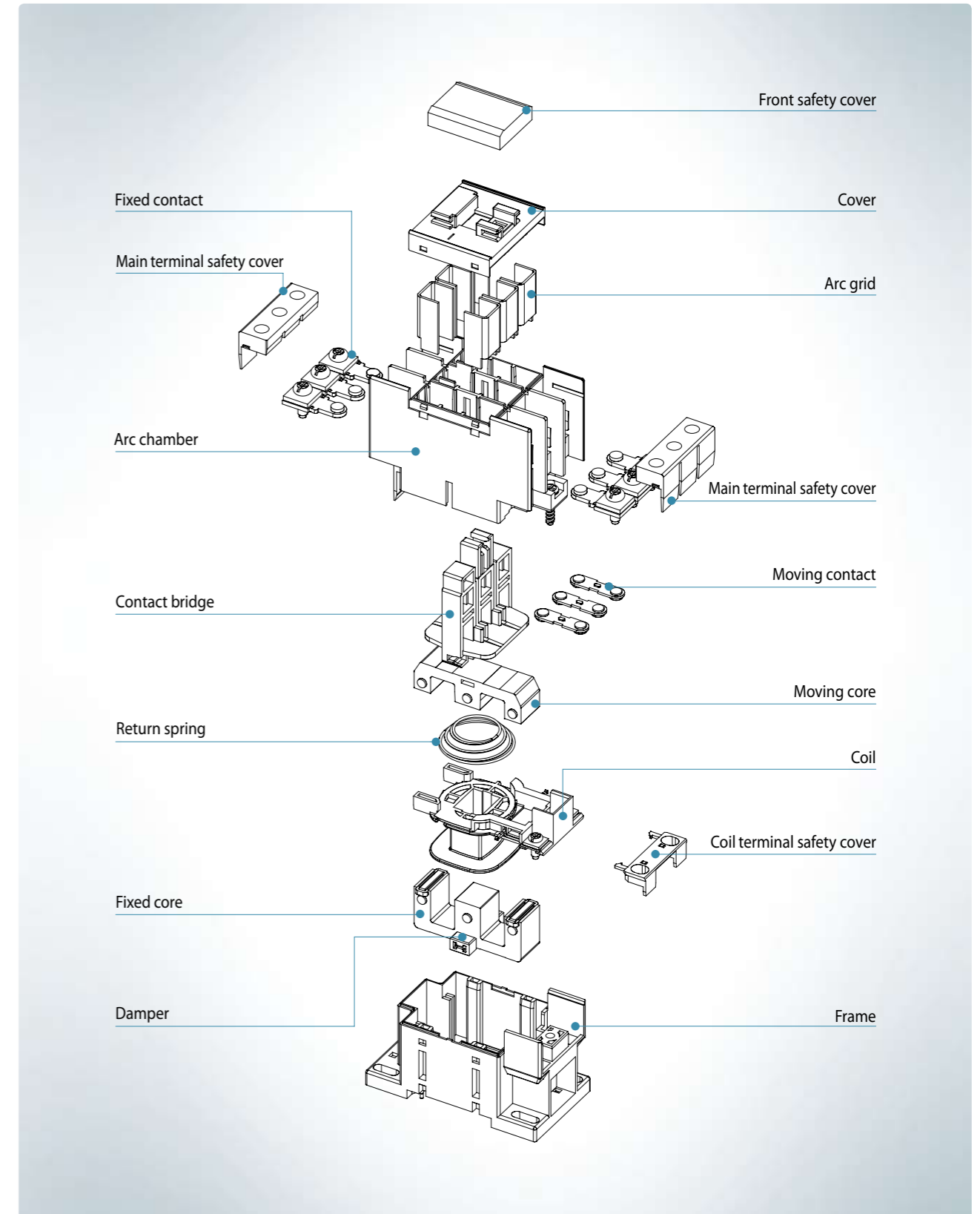
Ampere Frame

12AF	32AF	65AF	100AF
 <p>UMC9,12 ■ Rated current 9, 12A ■ Rated insulation voltage 750V</p>	 <p>UMC18, 25, 32 ■ Rated current 18, 25, 32A ■ Rated insulation voltage 750V</p>	 <p>UMC40, 50, 65 ■ Rated current 40, 50, 65A ■ Rated insulation voltage 750V</p>	 <p>UMC75, 85, 100 ■ Rated current 75, 85, 100A ■ Rated insulation voltage 750V</p>
 <p>UTH12 ■ Current range 0.12-12A</p>	 <p>UTH32 ■ Current range 0.12-32A</p>	 <p>UTH65 ■ Current range 7-65A</p>	 <p>UTH100 ■ Current range 17-100A</p>
150AF	265AF	500AF	800AF
 <p>UMC115, 130, 150 ■ Rated current 115, 130, 150A ■ Rated insulation voltage 1000V</p>	 <p>UMC185, 225, 265 ■ Rated current 185, 225, 265A ■ Rated insulation voltage 1000V</p>	 <p>UMC300, 400, 500 ■ Rated current 300, 400, 500A ■ Rated insulation voltage 1000V</p>	 <p>UMC630, 800 ■ Rated current 630, 800A ■ Rated insulation voltage 1000V</p>
 <p>UTH150 ■ Current range 48-150A</p>	 <p>UTH265 ■ Current range 48-265A</p>	 <p>UTH400 ■ Current range 90-400A UTH800 ■ Current range 300-500A</p>	 <p>UTH800 ■ Current range 378-800A</p>

External Structure



Internal Structure



Features

Accessories



Contactor &
Control Relay



Accessories

- | | |
|--|---|
| 1. Contactor UMC | 2. Front safety cover |
| 3. Auxiliary contact block (Front mounting) UAB | 4. Auxiliary contact block (Side mounting) UAL |
| 5. Mechanical latching block ULB | 6. Electronic timer block UET |
| 7. Mechanical interlock unit UTL | 8. Surge absorber URC/UCD |
| 9. Thermal overload relay UTH | |

※ The applicable accessories of each contactor are not same as above. For exact application to each contactor, please refer to next pages.



Rating Overview

Model			UMC9	UMC12	UMC18	UMC25	UMC32	UMC40	UMC50	UMC65		
IEC60947	Rated insulation voltage [UI]		V	AC750	AC750	AC750	AC750	AC750	AC750	AC750	AC750	
	Rated operation voltage [Ue]		V	AC690	AC690	AC690	AC690	AC690	AC690	AC690	AC690	
	Rated impulse withstand current [Uimp]		kV	6	6	8	8	8	8	8	8	
	Rated thermal current [Ith] (AC1)		A	25	25	40	45	55	60	70	100	
	Rated current	AC3 [Ie]	AC200-240V	kW/A	2.5/9	3.5/12	4.5/18	5.5/25	7.5/32	11/40	15/50	18.5/65
			AC380-440V		4/9	5.5/12	7.5/18	11/25	15/32	18.5/40	22/50	30/65
			AC500-550V		4/7	7.5/12	8.5/15	15/22	18.5/28	22/32	30/43	33/60
			AC660-690V		5.5/6	7.5/9	7.5/9	15/18	18.5/22	22/23	30/28	33/35
			AC1,000V		-	-	-	-	-	-	-	-
		Lifetime (440V)	Electrical	× 1,000 times	2,500	2,500	2,500	2,500	2,000	2,000	2,000	2,000
			Mechanical		25,000	25,000	15,000	15,000	15,000	15,000	15,000	15,000
		AC4 [Ie]	AC200-240V	kW/A	1.5/8	2.2/11	3.7/16	3.7/18	4.5/22	5.5/25	7.5/35	11/50
			AC380-440V		2.2/6	4/9	4/11	5.5/13	7.5/17	11/24	15/32	22/47
			Electrical lifetime		× 1,000 times	30	30	30	30	30	30	30
	Operating frequency (per hour)	AC1	100% load	times	1,000	1,000	1,000	1,000	1,000	750	750	750
50% load			2,000		2,000	2,000	2,000	2,000	1,500(900) ¹⁾	1,500(900) ¹⁾	1,500(900) ¹⁾	
20% load		3,600	3,600		3,600	3,600	3,600	3,000(1,200) ¹⁾	3,000(1,200) ¹⁾	3,000(1,200) ¹⁾		
AC4		100% load	times		300	300	300	300	300	250	250	250
		50% load			600	600	600	600	600	500	500	500
Making capacity	AC220V	A	110	130	180	250	320	400	500	650		
	AC440V		90	120	180	250	320	400	500	650		
Breaking capacity	AC220V	A	88	104	144	200	256	320	400	520		
	AC440V		72	96	144	200	256	320	400	520		
Continuous current at 40°C		A	21	21	30	40	50	60	70	80		
Rated current	1 phase	AC100-120V	HP/A	0.5/9.8	1/16	1.5/16	2/20	2/24	3/34	5/56	5/56	
		AC220-240V		1/8	2/12	3/17	3/17	5/28	7.5/40	10/50	10/50	
	3 phase	AC220-240V	HP/A	2/6.8	3/9.6	5/15.2	10/28	10/28	15/42	20/54	20/54	
		AC440-480V		5/7.6	7.5/11	10/14	20/27	25/34	30/40	40/52	40/52	
AC550-600V			5/6.1	10/11	15/21	15/21	20/22	30/32	30/42	40/52		
NEMA size			00	00	0	0	1	1	2	2		
Mounting method			Screw & DIN-rail									
Application for hoist			●	●	●	●	●	●	●	●		
Contacts	Main		3NO		3NO		3NO					
	Auxiliary	AC	1NO or 1NC		-		-					
		DC	1NO or 1NC		-		2NO+1NC					
AC/DC			-		-		-					
Dimensions	AC	Width ×	44 × 75 × 80		45 × 83 × 94		55 × 106 × 111					
	DC	Height ×	44 × 75 × 112		45 × 83 × 127		55 × 106 × 111					
	AC/DC	Depth	-		-		-					
Weight	AC		0.30		0.40		0.75					
	DC		0.55		0.70		0.75					
	AC/DC		-		-		-					

※ 1) The value in parentheses is for direct current (DC).

UMC75	UMC85	UMC100	UMC115	UMC130	UMC150	UMC185	UMC225	UMC265	UMC300	UMC400	UMC500	UMC630	UMC800	
AC750	AC750	AC750	AC1,000	AC1,000	AC1,000	AC1,000	AC1,000	AC1,000	AC1,000	AC1,000	AC1,000	AC1,000	AC1,000	
AC690	AC690	AC690	AC1,000	AC1,000	AC1,000	AC1,000	AC1,000	AC1,000	AC1,000	AC1,000	AC1,000	AC1,000	AC1,000	
8	8	8	8	8	8	8	8	8	8	8	8	8	8	
115	125	145	160	180	210	275	315	350	400	500	550	750	900	
22/75	25/85	30/100	37/115	40/130	45/150	55/185	75/225	80/265	90/300	125/400	140/500	190/630	220/800	
37/75	45/85	55/100	60/115	65/130	75/150	90/185	132/225	147/265	160/300	220/400	250/500	330/500	440/800	
37/64	50/75	50/85	59/100	70/120	90/140	110/180	132/200	150/225	200/273	250/300	300/426	330/500	500/720	
37/42	45/45	45/65	55/65	75/82	90/120	110/120	132/150	160/173	200/220	250/300	335/360	400/412	500/630	
-	-	-	65/50	75/54	90/66	110/78	132/96	160/113	200/141	250/178	275/192	300/213	400/284	
2,000	2,000	2,000	1,000	1,000	1,000	1,000	1,000	1,000	1,000	1,000	50	50	50	
10,000	10,000	10,000	5,000	5,000	5,000	5,000	5,000	5,000	5,000	5,000	500	500	500	
13/55	15/65	17/72	19/80	22/93	30/125	37/150	45/185	50/200	55/220	75/300	90/350	110/400	160/630	
25/52	30/62	33/68	37/75	45/90	55/110	75/150	90/185	102/200	110/220	150/300	175/350	200/400	300/630	
30	30	30	30	30	30	30	30	30	30	30	3	3	3	
450	450	450	450	450	450	300	300	300	300	300	300	300	300	
900	900	900	900	900	900	600	600	600	600	600	600	600	600	
1,800(1,200) ¹⁾	1,800(1,200) ¹⁾	1,800(1,200) ¹⁾	1,800	1,800	1,800	1,200	1,200	1,200	1,200	1,200	1,200	1,200	1,200	
200	200	200	200	200	200	200	200	200	150	150	150	150	150	
400	400	400	400	400	400	400	400	400	300	300	300	300	300	
750	850	1,000	1,150	1,300	1,500	1,850	2,250	2,650	3,000	4,000	5,000	6,300	8,000	
750	850	1,000	1,150	1,300	1,500	1,850	2,250	2,650	3,000	4,000	5,000	6,300	8,000	
600	680	800	920	1,040	1,200	1,480	1,800	2,120	2,400	3,200	4,000	5,040	6,400	
600	680	800	920	1,040	1,200	1,480	1,800	2,120	2,400	3,200	4,000	5,040	6,400	
90	105	125	160	180	210	230	260	330	350	450	550	750	900	
-	-	-	-	-	-	-	-	-	-	-	-	-	-	
-	-	-	-	-	-	-	-	-	-	-	-	-	-	
25/68	30/80	30/80	40/104	40/104	50/130	60/154	75/192	100/248	100/248	150/360	150/360	250/480	300/720	
60/77	60/77	60/77	75/96	75/96	100/124	125/156	150/180	200/240	250/302	300/361	300/361	500/477	600/708	
50/52	50/52	75/77	100/99	100/99	125/125	150/144	200/192	250/242	250/242	300/289	350/336	500/382	600/578	
2	3	3	3	3	4	4	4	4	5	5	5	6	7	
Screw & DIN-rail			Screw											
●	●	●	-	-	-	-	-	-	-	-	-	-	-	
3NO			3NO			3NO			3NO			3NO		
-			-			-			-			-		
2NO+1NC			-			-			-			-		
-			2NO+2NC			2NO+2NC			2NO+2NC			2NO+2NC		
70 × 140 × 128			-			-			-			-		
70 × 140 × 128			-			-			-			-		
-			103 × 155 × 146			138 × 204 × 174			163 × 243 × 203			276 × 314 × 253		
1.40			-			-			-			-		
1.40			-			-			-			-		
-			2.50			4.70			8.75			22		

※ 1) The value in parentheses is for direct current (DC).

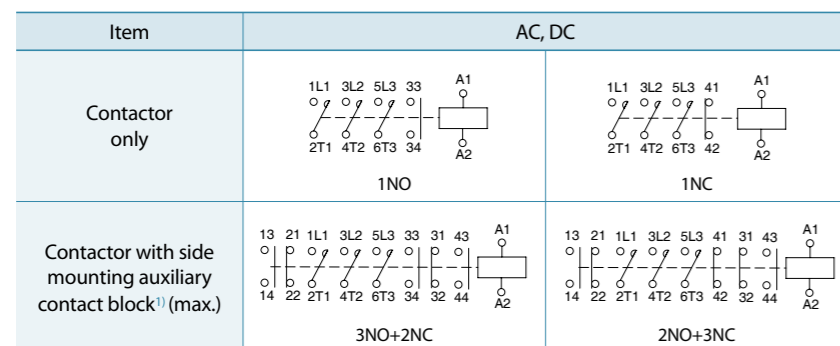
Specifications & Order Information



Contactor | UMC 9-12A

Model		UMC9	UMC12		
Rated insulation voltage [Ui]		V	AC750		
Rated operation voltage [Ue]		V	AC690		
Rated impulse withstand current [Uimp]		kV	6		
Rated thermal current [Ith] (AC1)		A	25		
Rated current	AC3 [le]	AC200-240V	2.5/9	3.5/12	
		AC380-440V	4/9	5.5/12	
		AC500-550V	4/7	7.5/12	
		AC660-690V	5.5/6	7.5/9	
		AC1,000V	-	-	
	Lifetime	Electrical	× 1,000	2,500	2,500
		Mechanical	times	25,000	25,000
	AC4 [le]	AC200-240V	kW/A	1.5/8	2.2/11
		AC380-440V	kW/A	2.2/6	4/9
		Electrical lifetime	× 1,000 times	30	30
Operating frequency (per hour)	AC1	100% load	times	1,000	1,000
	AC2	50% load	times	2,000	2,000
	AC3	20% load	times	3,600	3,600
	AC4	100% load	times	300	300
Making capacity	AC220V	A	110	130	
	AC440V	A	90	120	
Breaking capacity	AC220V	A	88	104	
	AC440V	A	72	96	
Mounting method		Screw & DIN-rail			
Application for hoist		●	●		
Contacts	Main	3NO			
	Auxiliary	1NO or 1NC 1NO or 1NC			
Dimensions	AC	Width × Height × Depth	mm	44 × 75 × 80	
	DC	Width × Height × Depth	mm	44 × 75 × 112	
Weight	AC	kg	0.30		
	DC	kg	0.55		

Contact arrangement



※ 1) For applicable auxiliary contact block, please refer to page 30, 31.

Operation voltage

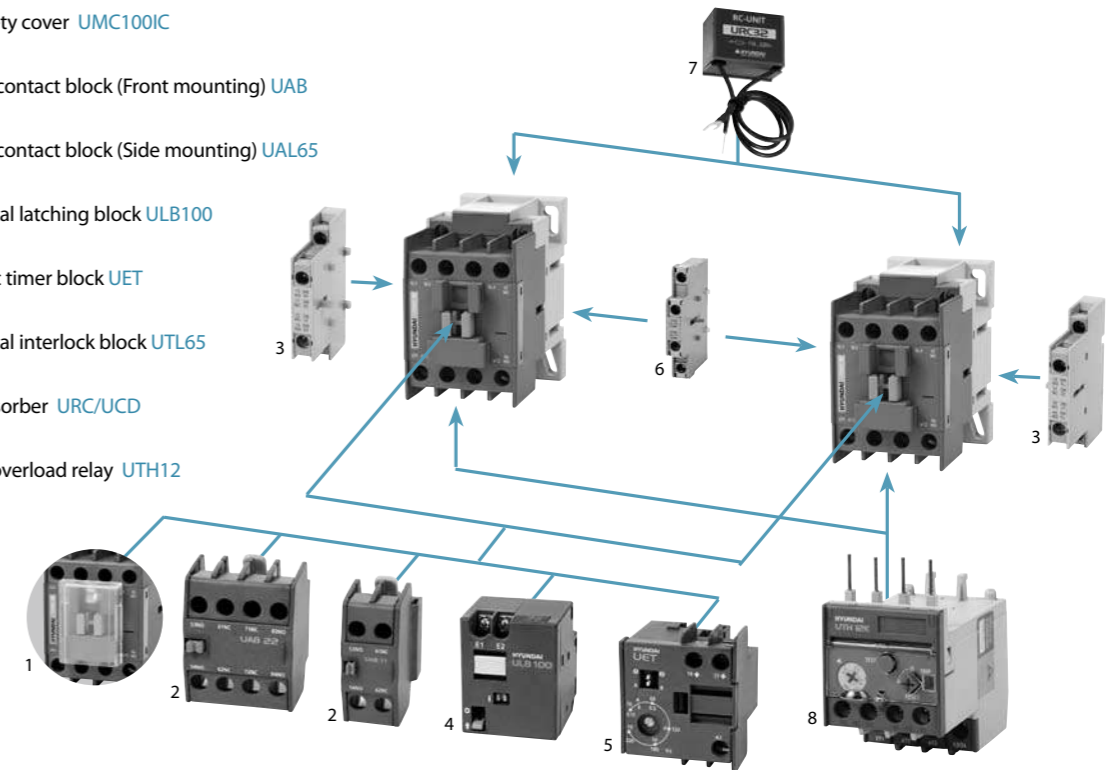
(Unit: V)		
AC, 50Hz	AC, 60Hz	DC
24	24	24
42	48	48
48	100	60
80	110	80
100	120	100
110	208	110
120	220	125
220	230	200
230	240	220
240	277	250
380	380	
400	440	
415	460	
440	480	

※ Non-specified voltage can be available on request. For technical information of coil, please refer to page 42, 43.

Accessories

Contactor: UMC9-12

1. Front safety cover UMC100IC page 35
2. Auxiliary contact block (Front mounting) UAB page 30
3. Auxiliary contact block (Side mounting) UAL65 page 30
4. Mechanical latching block ULB100 page 33
5. Electronic timer block UET page 34
6. Mechanical interlock block UTL65 page 32
7. Surge absorber URC/UCD page 35
8. Thermal overload relay UTH12 page 50



Order information

UMC		12	
Code	Series	Code	Rated current / Power
UMC	UMC	9	9A / 4kW
		12	12A / 5.5kW

01		N		S	
Code	Auxiliary contact	Code	Application	Code	Terminal accessory
01	0NO+1NC	N	Standard	S	Safety cover
10	1NO+0NC	H	Hoist		

X220		
Code	Voltage (V)	Current, frequency
X	24-440	AC, 50Hz
A	24-480	AC, 60Hz
D	24-250	DC

Standard order code and unit

Model	AC220V, 50Hz		AC220V, 60Hz		DC110V		Category	
	Code	Unit	Code	Unit	Code	Unit		
UMC9	UMC9 01NS X220	50	UMC9 01NS A220	50	UMC9 01NS D110	25	MC	CE
	UMC9 10NS X220	50	UMC9 10NS A220	50	UMC9 10NS D110	25		
UMC12	UMC12 01NS X220	50	UMC12 01NS A220	50	UMC12 01NS D110	25		
	UMC12 10NS X220	50	UMC12 10NS A220	50	UMC12 10NS D110	25		

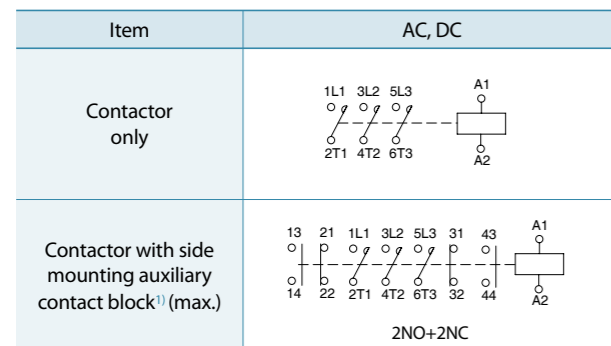
Specifications & Order Information



Contactor | UMC 18-32A

Model		UMC18	UMC25	UMC32		
Rated insulation voltage [Ui]	V	AC750	AC750	AC750		
	V	AC690	AC690	AC690		
Rated operation voltage [Ue]	V	AC690	AC690	AC690		
Rated impulse withstand current [Uimp]	kV	8	8	8		
Rated thermal current [Ith] (AC1)	A	40	45	55		
Rated current [Ie]	AC3	AC200-240V	4.5/18	5.5/25	7.5/32	
		AC380-440V	7.5/18	11/25	15/32	
		AC500-550V	8.5/15	15/22	18.5/28	
		AC660-690V	7.5/9	15/18	18.5/22	
		AC1,000V	-	-	-	
	Lifetime	Electrical	× 1,000 times	2,500	2,500	2,000
		Mechanical	times	15,000	15,000	15,000
	AC4	AC200-240V	kW/A	3.7/16	3.7/18	4.5/22
		AC380-440V	kW/A	4/11	5.5/13	7.5/17
		Electrical lifetime	× 1,000 times	30	30	30
Operating frequency (per hour)	AC1	100% load	times	1,000	1,000	1,000
	AC2	50% load	times	2,000	2,000	2,000
	AC3	20% load	times	3,600	3,600	3,600
	AC4	100% load	times	300	300	300
		50% load	times	600	600	600
Making capacity	AC220V	A	180	250	320	
	AC440V	A	180	250	320	
Breaking capacity	AC220V	A	144	200	256	
	AC440V	A	144	200	256	
Mounting method		Screw & DIN-rail				
Application for hoist		●	●	●		
Contacts	Main	3NO				
	Auxiliary	AC DC				
Dimensions	AC	Width × Height × Depth	45 × 83 × 94			
	DC	Width × Height × Depth	45 × 83 × 127			
Weight	AC	kg	0.40			
	DC	kg	0.70			

Contact arrangement



※ 1) For applicable auxiliary contact block, please refer to page 30, 31.

Operation voltage

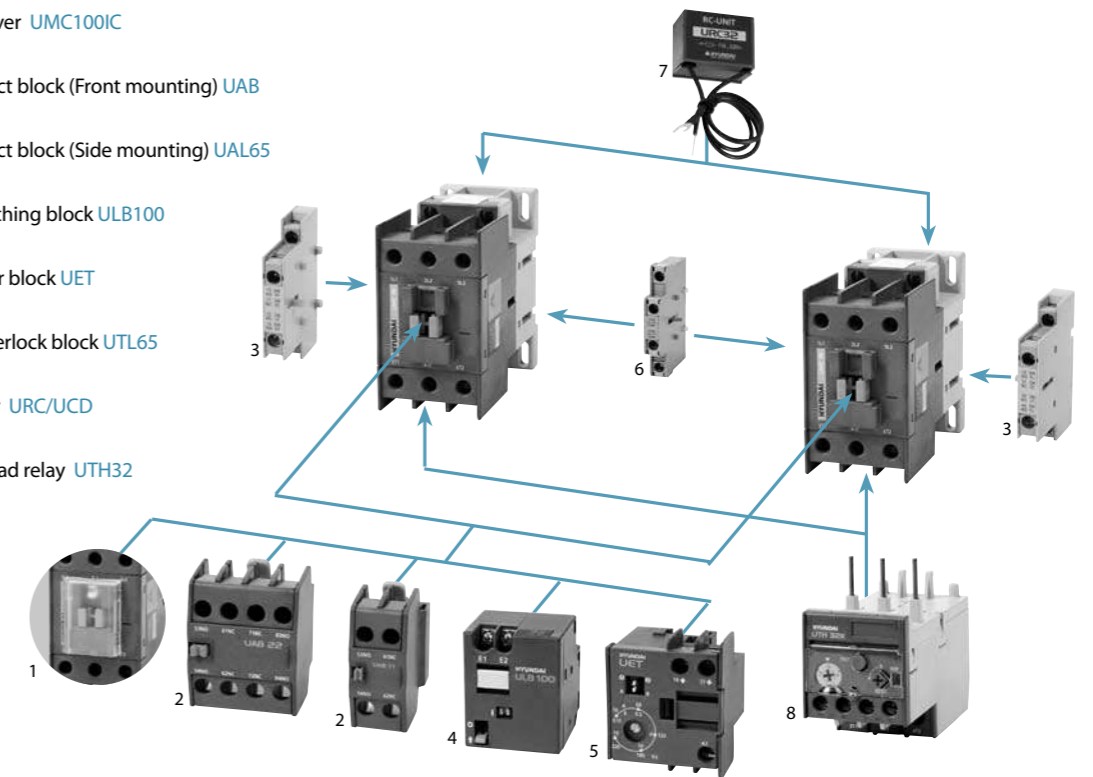
Item	AC, DC (Unit: V)		
	AC, 50Hz	AC, 60Hz	DC
24	24	24	
42	48	48	
48	100	60	
80	110	80	
100	120	100	
110	208	110	
120	220	125	
220	230	200	
230	240	220	
240	277	250	
380	380		
400	440		
415	460		
440	480		

※ Non-specified voltage can be available on request. For technical information of coil, please refer to page 42, 43.

Accessories

Contactor: UMC18-32

1. Front safety cover UMC100IC page 35
2. Auxiliary contact block (Front mounting) UAB page 30
3. Auxiliary contact block (Side mounting) UAL65 page 30
4. Mechanical latching block ULB100 page 33
5. Electronic timer block UET page 34
6. Mechanical interlock block UTL65 page 32
7. Surge absorber URC/UCD page 35
8. Thermal overload relay UTH32 page 50



Order information

UMC		32		
Code	Series	Code	Rated current	Power
			AC3, AC440V	
UMC	UMC	18	18A	7.5kW
		25	25A	11kW
		32	32A	15kW

00		N		S	
Code	Auxiliary contact	Code	Application	Code	Terminal accessory
00	0NO+0NC	N	Standard	S	Safety cover
		H	Hoist		

X220		
Code	Voltage (V)	Current, frequency
X	24-440	AC, 50Hz
A	24-480	AC, 60Hz
D	24-250	DC

Standard order code and unit

Model	AC220V, 50Hz		AC220V, 60Hz		DC110V		Category
	Code	Unit	Code	Unit	Code	Unit	
UMC18	UMC18 00NS X220	40	UMC18 00NS A220	40	UMC18 00NS D110	20	MC CE
UMC25	UMC25 00NS X220	40	UMC25 00NS A220	40	UMC25 00NS D110	20	
UMC32	UMC32 00NS X220	40	UMC32 00NS A220	40	UMC32 00NS D110	20	

Specifications & Order Information

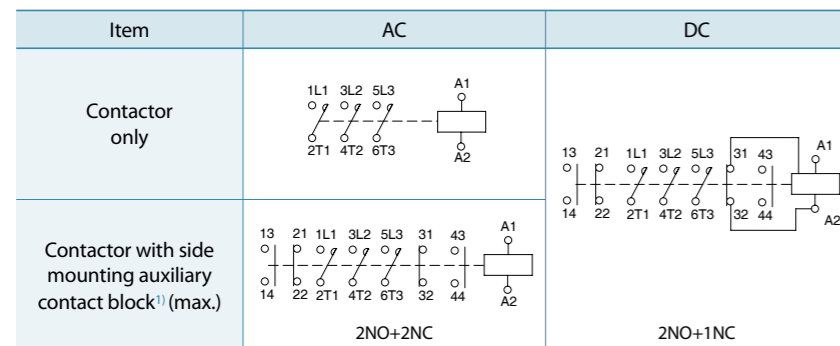


Contactor | UMC 40-65A

Model		UMC40	UMC50	UMC65		
Rated insulation voltage [Ui]	V	AC750	AC750	AC750		
	V	AC690	AC690	AC690		
Rated operation voltage [Ue]	V	AC690	AC690	AC690		
Rated impulse withstand current [Uimp]	kV	8	8	8		
Rated thermal current [Ith] (AC1)	A	60	70	100		
Rated current [Ie]	AC3	AC200-240V	11/40	15/50	18.5/65	
		AC380-440V	18.5/40	22/50	30/65	
		AC500-550V	22/32	30/43	33/60	
		AC660-690V	22/23	30/28	33/35	
		AC1,000V	-	-	-	
	Lifetime	Electrical	× 1,000 times	2,000	2,000	2,000
		Mechanical	times	15,000	15,000	15,000
	AC4	AC200-240V	kW/A	5.5/25	7.5/35	11/50
		AC380-440V	kW/A	11/24	15/32	22/47
		Electrical lifetime	× 1,000 times	30	30	30
Operating frequency (per hour)	AC1	100% load	times	750	750	750
	AC2	50% load	times	1,500(900) ¹⁾	1,500(900) ¹⁾	1,500(900) ¹⁾
	AC3	20% load	times	3,000(1,200) ¹⁾	3,000(1,200) ¹⁾	3,000(1,200) ¹⁾
	AC4	100% load	times	250	250	250
		50% load	times	500	500	500
Making capacity	AC220V	A	400	500	650	
	AC440V	A	400	500	650	
Breaking capacity	AC220V	A	320	400	520	
	AC440V	A	320	400	520	
Mounting method		Screw & DIN-rail				
Application for hoist		●	●	●		
Contacts	Main	3NO				
	Auxiliary	AC DC				
Dimensions	AC	Width × Height × Depth	mm			
	DC	55 × 106 × 111				
Weight	AC	kg				
	DC	0.75				

※ 1) The value in parentheses is for direct current (DC).

Contact arrangement



※ 1) For applicable auxiliary contact block, please refer to page 30, 31.

Operation voltage

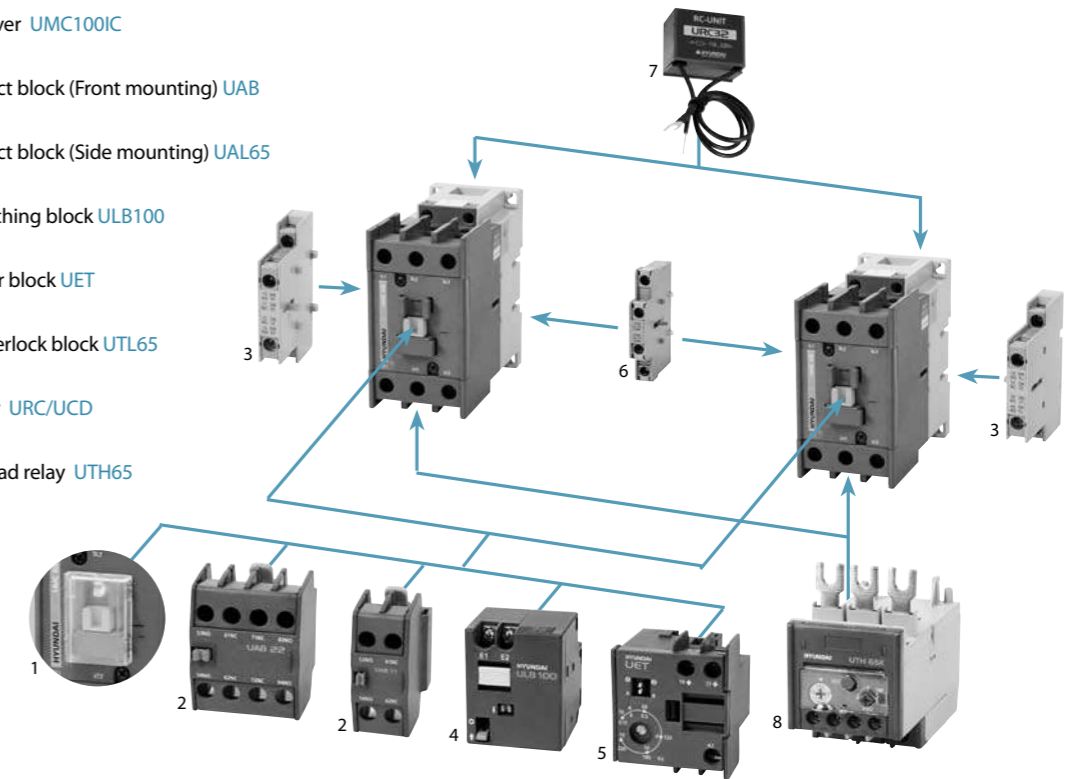
(Unit: V)		
AC, 50Hz	AC, 60Hz	DC
24	24	24
42	48	48
48	100	60
80	110	80
100	120	100
110	208	110
120	220	125
220	230	200
230	240	220
240	277	250
380	380	
400	440	
415	460	
440	480	

※ Non-specified voltage can be available on request. For technical information of coil, please refer to page 42, 43.

Accessories

Contactor: UMC40-65

1. Front safety cover UMC100IC page 35
2. Auxiliary contact block (Front mounting) UAB page 30
3. Auxiliary contact block (Side mounting) UAL65 page 30
4. Mechanical latching block ULB100 page 33
5. Electronic timer block UET page 34
6. Mechanical interlock block UTL65 page 32
7. Surge absorber URC/UCD page 35
8. Thermal overload relay UTH65 page 50



Order information

UMC		65		
Code	Series	Code	Rated current	Power
			AC3, AC440V	
UMC	UMC	40	40A	18.5kW
		50	50A	22kW
		65	65A	30kW

00		N		S	
Code	Auxiliary contact	Code	Application	Code	Terminal accessory
00 ¹⁾	0NO+0NC	N	Standard	S	Safety cover
21 ²⁾	2NO+1NC	H	Hoist	C	Cage lug

※ 1) for AC
2) for DC

X220		
Code	Voltage (V)	Current, frequency
X	24-440	AC, 50Hz
A	24-480	AC, 60Hz
D	24-250	DC

Standard order code and unit

Model	AC220V, 50Hz		AC220V, 60Hz		DC110V		Category	
	Code	Unit	Code	Unit	Code	Unit		
UMC40	UMC40 00NS X220	16	UMC40 00NS A220	16	UMC40 21NS D110	16	MC	CE
UMC50	UMC50 00NS X220	16	UMC50 00NS A220	16	UMC50 21NS D110	16		
UMC65	UMC65 00NS X220	16	UMC65 00NS A220	16	UMC65 21NS D110	16		

Specifications & Order Information

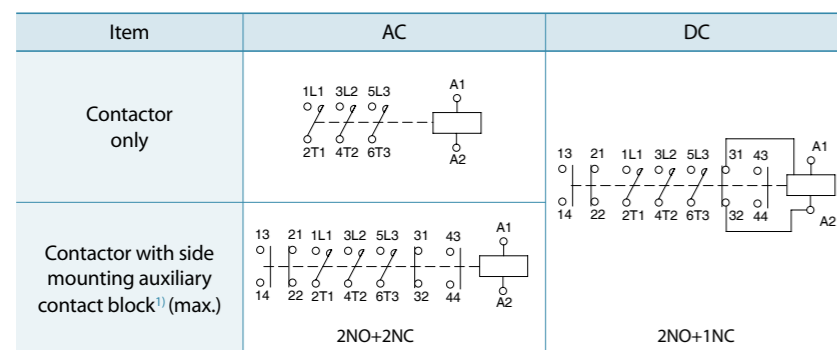


Contactor | UMC75-100A

Model		UMC75	UMC85	UMC100		
Rated insulation voltage [Ui]		V	AC750	AC750		
Rated operation voltage [Ue]		V	AC690	AC690		
Rated impulse withstand current [Uimp]		kV	8	8		
Rated thermal current [Ith] (AC1)		A	115	125		
Rated current [Ie]	AC3	kW/A	AC200-240V	22/75	25/85	30/100
			AC380-440V	37/75	45/85	55/100
			AC500-550V	37/64	50/75	50/85
			AC660-690V	37/42	45/45	45/65
			AC1,000V	-	-	-
	Lifetime	times	Electrical	2,000	2,000	2,000
			Mechanical	10,000	10,000	10,000
	AC4	kW/A	AC200-240V	13/55	15/65	17/72
			AC380-440V	25/52	30/62	33/68
			Electrical lifetime	x 1,000 times	30	30
Operating frequency (per hour)	AC1	100% load	450	450	450	
	AC2	50% load	900	900	900	
	AC3	20% load	1,800(1,200) ¹⁾	1,800(1,200) ¹⁾	1,800(1,200) ¹⁾	
	AC4	100% load	200	200	200	
Making capacity	AC220V	A	750	850	950	
	AC440V	A	750	850	950	
Breaking capacity	AC220V	A	600	680	760	
	AC440V	A	600	680	760	
Mounting method		Screw & DIN-rail				
Application for hoist		●	●	●		
Contacts	Main	3NO				
	Auxiliary	AC	-			
		DC	2NO+1NC			
Dimensions	AC	Width × Height × Depth	70 × 140 × 128			
	DC	mm	70 × 140 × 128			
Weight	AC	kg	1.40			
	DC	kg	1.40			

※ 1) The value in parentheses is for direct current (DC).

Contact arrangement



※ 1) For applicable auxiliary contact block, please refer to page 30, 31.

Operation voltage

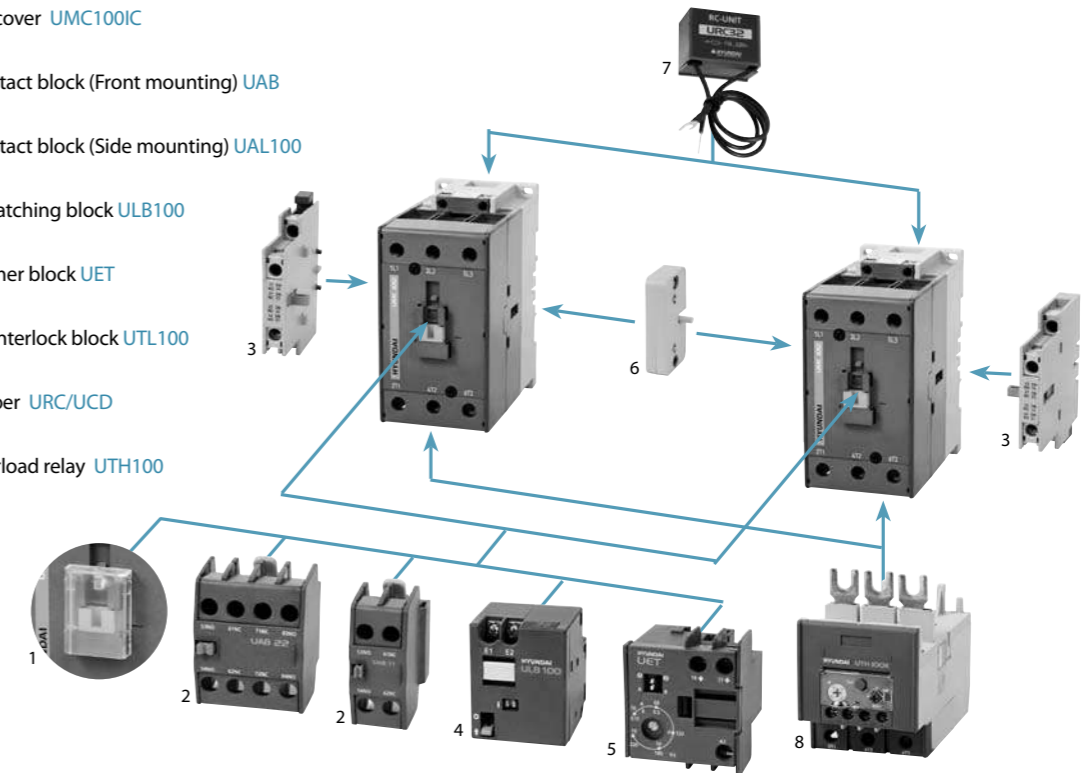
(Unit: V)		
AC, 50Hz	AC, 60Hz	DC
24	24	24
42	48	48
48	100	60
80	110	80
100	120	100
110	208	110
120	220	125
220	230	200
230	240	220
240	277	250
380	380	
400	440	
415	460	
440	480	

※ Non-specified voltage can be available on request. For technical information of coil, please refer to page 42, 43.

Accessories

Contactor: UMC75-100

1. Front safety cover UMC100IC page 35
2. Auxiliary contact block (Front mounting) UAB page 30
3. Auxiliary contact block (Side mounting) UAL100 page 30
4. Mechanical latching block ULB100 page 33
5. Electronic timer block UET page 34
6. Mechanical interlock block UTL100 page 32
7. Surge absorber URC/UCD page 35
8. Thermal overload relay UTH100 page 50



Order information

UMC		100		
Code	Series	Code	Rated current	Power
			AC3, AC440V	
		75	75A	37kW
		85	85A	45kW
		100	100A	55kW

00		N		S	
Code	Auxiliary contact	Code	Application	Code	Terminal accessory
00 ¹⁾	0NO+0NC	N	Standard	S	Safety cover
21 ²⁾	2NO+1NC	H	Hoist	C	Cage lug

※ 1) for AC
2) for DC

X220		
Code	Voltage (V)	Current, frequency
X	24-440	AC, 50Hz
A	24-480	AC, 60Hz
D	24-250	DC

Standard order code and unit

Model	AC220V, 50Hz		AC220V, 60Hz		DC110V		Category
	Code	Unit	Code	Unit	Code	Unit	
UMC75	UMC75 00NS X220	9	UMC75 00NS A220	9	UMC75 21NS D110	6	MC CE
UMC85	UMC85 00NS X220	9	UMC85 00NS A220	9	UMC85 21NS D110	6	
UMC100	UMC100 00NS X220	9	UMC100 00NS A220	9	UMC100 21NS D110	6	

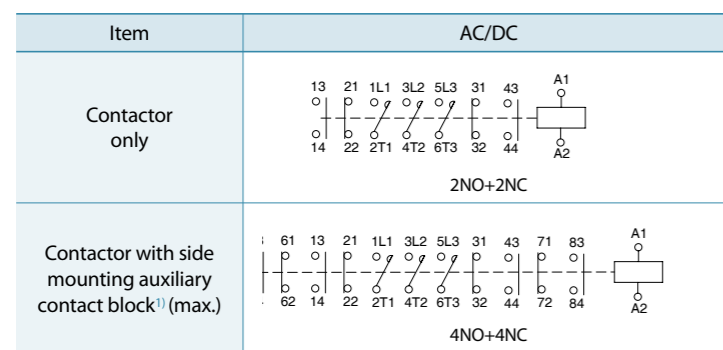
Specifications & Order Information



Contactor | UMC 115-150A

Model		UMC115	UMC130	UMC150	
Rated insulation voltage [Ui]	V	AC1,000	AC1,000	AC1,000	
	V	AC1,000	AC1,000	AC1,000	
Rated operation voltage [Ue]	V	AC1,000	AC1,000	AC1,000	
Rated impulse withstand current [Uimp]	kV	8	8	8	
Rated thermal current [Ith] (AC1)	A	160	180	210	
Rated current [Ie]	AC3	AC200-240V	37/115	40/130	45/150
		AC380-440V	60/115	65/130	75/150
		AC500-550V	59/100	70/120	90/140
		AC660-690V	55/65	75/82	90/120
		AC1,000V	65/50	75/54	90/66
	Lifetime	Electrical	× 1,000	1,000	1,000
		Mechanical	times	5,000	5,000
	AC4	AC200-240V	19/80	22/93	30/125
		AC380-440V	37/75	45/90	55/110
		Electrical lifetime	× 1,000 times	30	30
Operating frequency (per hour)	AC1	100% load	450	450	
	AC2	50% load	900	900	
	AC3	20% load	1,800	1,800	
	AC4	100% load	200	200	
		50% load	400	400	
Making capacity	AC220V	A	1,150	1,300	
	AC440V	A	1,150	1,300	
Breaking capacity	AC220V	A	920	1,040	
	AC440V	A	920	1,040	
Mounting method		Screw			
Contacts	Main	3NO			
	Auxiliary	AC/DC 2NO+2NC			
Dimensions	AC/DC	Width × Height × Depth	mm		
			103 × 155 × 146		
Weight	AC/DC	kg			
		2.50			

Contact arrangement



※ 1) For applicable auxiliary contact block, please refer to page 30, 31.

Operation voltage

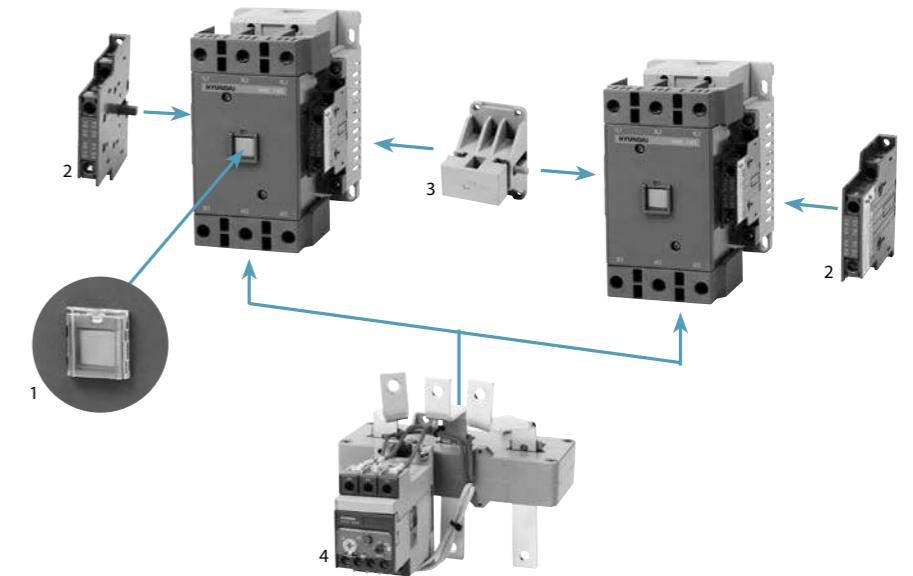
AC/DC		(Unit: V)
Voltage band		
24	AC: 24-26 DC: 24	
48	AC: 44-52 DC: 48	
220	AC: 100-240 DC: 110-220	
440	AC: 380-450	

※ Non-specified voltage can be available on request. For technical information of coil, please refer to page 42, 43.

Accessories

Contactor: UMC115-150

1. Front safety cover UMC150IC page 35
2. Auxiliary contact block (Side mounting) UAL400 page 30
3. Mechanical interlock block UTL265 page 32
4. Thermal overload relay UTH150 page 52



Order information

UMC		150		
Code	Series	Code	Rated current	Power
			AC3, AC440V	
		115	115A	60kW
		130	130A	65kW
		150	150A	75kW

22		N		S	
Code	Auxiliary contact	Code	Application	Code	Terminal accessory
22	2NO+2NC	N	Standard	S	Safety cover

F220		
Code	Voltage (V)	Current
F	24	AC/DC
	48	
	220	
	440	

Standard order code and unit

Model	AC/DC220V		Category	
	Code	Unit		
UMC115	UMC115 22NS F220	6	MC	CE
UMC130	UMC130 22NS F220	6		
UMC150	UMC150 22NS F220	6		

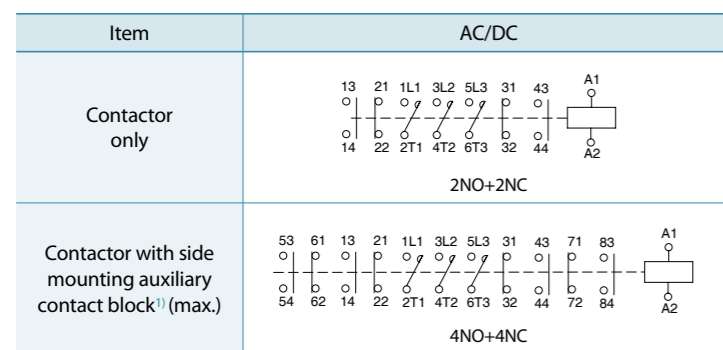
Specifications & Order Information



Contactor | UMC 185-265A

Model		UMC185	UMC225	UMC265		
Rated insulation voltage [Ui]	V	AC1,000	AC1,000	AC1,000		
	Rated operation voltage [Ue]	V	AC1,000	AC1,000	AC1,000	
Rated impulse withstand current [Uimp]	kV	8	8	8		
Rated thermal current [Ith] (AC1)	A	275	315	350		
Rated current [Ie]	AC3	AC200-240V	55/185	75/225	80/265	
		AC380-440V	90/185	132/225	147/265	
		AC500-550V	110/180	132/200	150/225	
		AC660-690V	110/120	132/150	160/173	
		AC1,000V	110/78	132/96	160/113	
	Lifetime	Electrical	× 1,000	1,000	1,000	
		Mechanical	times	5,000	5,000	5,000
	AC4	AC200-240V	37/150	45/185	50/200	
		AC380-440V	75/150	90/185	102/200	
		Electrical lifetime	× 1,000 times	30	30	30
Operating frequency (per hour)	AC1	100% load	times	300	300	300
	AC2	50% load	times	600	600	600
	AC3	20% load	times	1,200	1,200	1,200
	AC4	100% load	times	200	200	200
		50% load	times	400	400	400
Making capacity	AC220V	A	1,850	2,250	2,650	
	AC440V	A	1,850	2,250	2,650	
Breaking capacity	AC220V	A	1,480	1,800	2,120	
	AC440V	A	1,480	1,800	2,120	
Mounting method		Screw				
Contacts	Main	3NO				
	Auxiliary	AC/DC 2NO+2NC				
Dimensions	AC/DC	Width × Height × Depth	mm		138 × 204 × 174	
Weight	AC/DC	kg		4.70		

Contact arrangement



※ 1) For applicable auxiliary contact block, please refer to page 30, 31.

Operation voltage

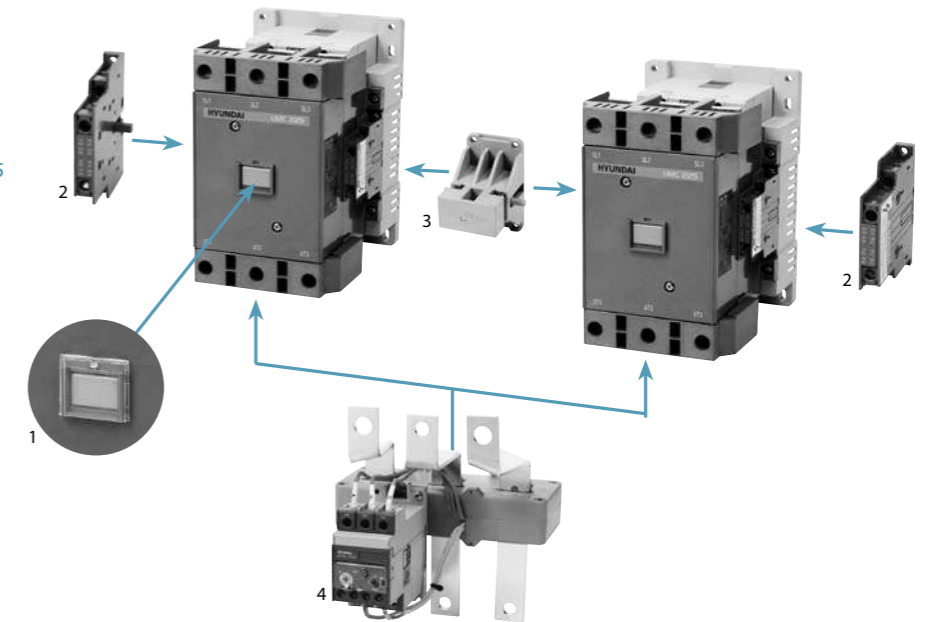
AC/DC		(Unit: V)
Voltage band		
24	AC: 24-26 DC: 24	
48	AC: 44-52 DC: 48	
220	AC: 100-240 DC: 110-220	
440	AC: 380-450	

※ Non-specified voltage can be available on request. For technical information of coil, please refer to page 42, 43.

Accessories

Contactor: UMC185-265

1. Front safety cover UMC2651C page 35
2. Auxiliary contact block (Side mounting) UAL400 page 30
3. Mechanical interlock block UTL265 page 32
4. Thermal overload relay UTH265 page 52



Order information

UMC		265		
Code	Series	Code	Rated current	Power
			AC3, AC440V	
		185	185A	90kW
		225	225A	132kW
		265	265A	147kW

22		N		S	
Code	Auxiliary contact	Code	Application	Code	Terminal accessory
22	2NO+2NC	N	Standard	S	Safety cover

F220		
Code	Voltage (V)	Current
F	24	AC/DC
	48	
	220	
	440	

Standard order code and unit

Model	AC/DC220V		Category	
	Code	Unit	MC	CE
UMC185	UMC185 22NS F220	3		
UMC225	UMC225 22NS F220	3		
UMC265	UMC265 22NS F220	3		

Specifications & Order Information



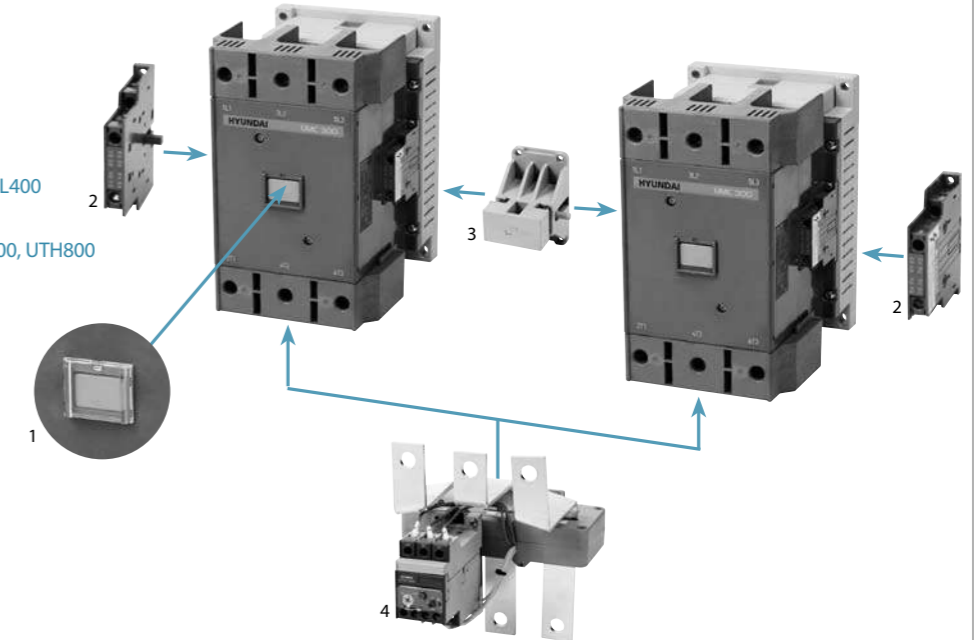
Contactor | UMC 300-500A

Model		UMC300	UMC400	UMC500		
Rated insulation voltage [Ui]	V	AC1,000	AC1,000	AC1,000		
	V	AC1,000	AC1,000	AC1,000		
Rated operation voltage [Ue]	V	AC1,000	AC1,000	AC1,000		
Rated impulse withstand current [Uimp]	kV	8	8	8		
Rated thermal current [Ith] (AC1)	A	400	500	550		
Rated current [Ie]	AC3	AC200-240V	90/300	125/400	140/500	
		AC380-440V	160/300	220/400	250/500	
		AC500-550V	200/273	250/300	300/426	
		AC660-690V	200/220	250/300	335/360	
		AC1,000V	200/141	250/178	275/192	
	Lifetime	Electrical	× 1,000	1,000	1,000	
		Mechanical	times	5,000	5,000	5,000
	AC4	AC200-240V	55/220	75/300	90/350	
		AC380-440V	110/220	150/300	175/350	
		Electrical lifetime	× 1,000 times	30	30	30
Operating frequency (per hour)	AC1	100% load	times	300	300	300
	AC2	50% load	times	600	600	600
	AC3	20% load	times	1,200	1,200	1,200
	AC4	100% load	times	150	150	150
		50% load	times	300	300	300
Making capacity	AC220V	A	3,000	4,000	5,000	
	AC440V	A	3,000	4,000	5,000	
Breaking capacity	AC220V	A	2,400	3,200	4,000	
	AC440V	A	2,400	3,200	4,000	
Mounting method		Screw				
Contacts	Main	3NO				
	Auxiliary	AC/DC 2NO+2NC				
Dimensions	AC/DC	Width × Height × Depth	mm			
			163 × 243 × 203			
Weight	AC/DC	kg				
		8.75				

◆ Accessories

Contactor: UMC300-500

1. Front safety cover UMC400IC page 35
2. Auxiliary contact block (Side mounting) UAL400 page 30
3. Mechanical interlock block UTL400 page 32
4. Thermal overload relay UTH400, UTH800 page 52



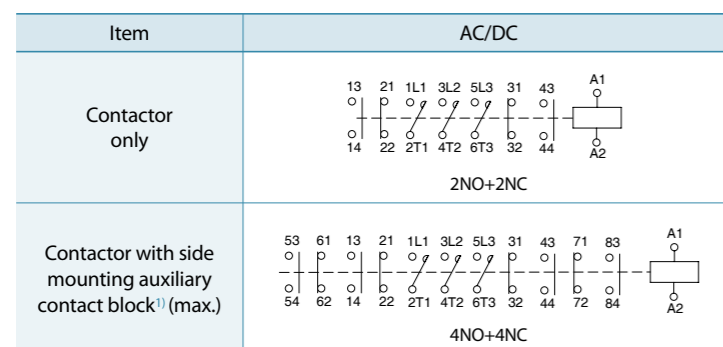
◆ Order information

UMC		500		
Code	Series	Code	Rated current	Power
			AC3, AC440V	
		300	300A	160kW
		400	400A	220kW
		500	500A	250kW

22		N		S	
Code	Auxiliary contact	Code	Application	Code	Terminal accessory
22	2NO+2NC	N	Standard	S	Safety cover

F220		
Code	Voltage (V)	Current
F	220	AC/DC
	440	

◆ Contact arrangement



※ 1) For applicable auxiliary contact block, please refer to page 30, 31.

◆ Operation voltage

AC/DC		(Unit: V)
Voltage band		
220	AC: 100-240	
	DC: 110-220	
440	AC: 380-450	

※ Non-specified voltage can be available on request. For technical information of coil, please refer to page 42, 43.

◆ Standard order code and unit

Model	AC/DC220V		Category	
	Code	Unit	MC	CE
UMC300	UMC300 22NS F220	2	MC	CE
UMC400	UMC400 22NS F220	2		
UMC500	UMC500 22NS F220	2		